



Click object to rotate

# Pro

## Twin Flange LNB

**IDLB-TWNFOO-OOPRO-OPP**

**Item: 3214**



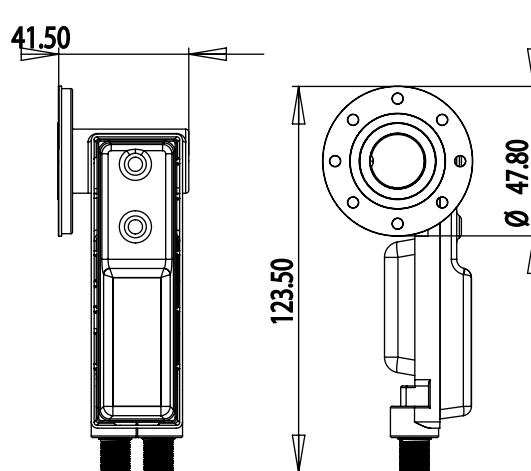
Specifically designed for the European DTH markets, this LNB provides optimized reception capabilities. It enables the reception of signal from one satellite and its distribution to up-to two single tuner Set-top box (or 1 in the case of a twin-tuner STB). It is ready for High Definition transmissions and provides excellent Noise Figure performance. Manufactured to the highest industry quality standards and designed to meet strict specifications, this LNB is an ideal solution for the satellite broadcast reception across Europe.

### Main Features:

- Low phase Noise HDTV-DVBS2 compliant
- Low Noise figure
- Low Power consumption
- High Cross-Pole performance
- High Frequency stability

## Technical data

Low Band I/P Frequency Range	10.7 ~ 11.7 GHz
O/P Frequency Range	950 ~ 1950 MHz
LO Frequency	9.75 GHz
High Band I/P Frequency Range	11.7 ~ 12.75 GHz
O/P Frequency Range	1100 ~ 2150 MHz
LO Frequency	10.6 GHz
Noise Figure	0.2 dB
LO Initial Accuracy	+/- 1.0 MHz
LO Temperature Drift	+/- 3.0 MHz
LO Phase Noise @ 10K Hz	-80 dBc / Hz
Conversion Gain	55 dB Min.
Gain Variation	+/- 8 dB
Image Rejection	40 [min.]dB
O/P 1 dB Compression Point	0.0 [min.] dBm
Crosstalk Isolation	20 [min.]dB
Control Signals Ca [ V ]	10.0 ~ 14.0 V
Control Signals Cb [ H ]	16.0 ~ 20.0 V
Control Signals Cc	22 +/- 4 KHz
O/P Supurious	- 60 [max.] dBc
O/P VSWR	2.5 : 1 ~
Radiated Interference	-50 dBm
DC Power	120mA Max.@11-20V
Working Temperature	- 30 ~ + 60
Output Impedance	75 Ω (F-Type)
Weight	180 g



For purpose of brevity, some product descriptions in this sheet remain at platform level and may not be referred to as detailed datasheets of the products. Inverto Digital Labs reserves the right to amend, omit or add products, product-lines, and / or features without notice.

For further details contact: [sales@inverto.tv](mailto:sales@inverto.tv)

FTA Communication Technologies S.a r.l Tel. +352 264 367 1 Fax. +352 264 313 68

