



Click object to rotate

Pro

Single C-Band Flange LNB
IDLB-SINF0COO-OOPRO-OPP
Item: 3126



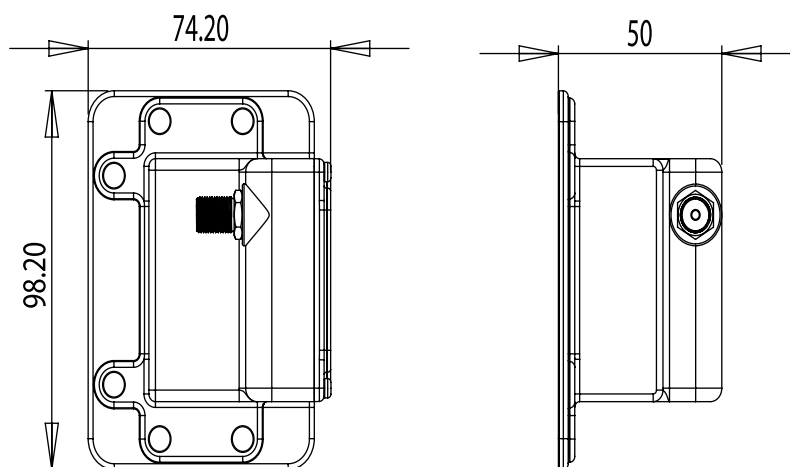
Specifically designed for the DTH markets, this LNB provides optimized reception capabilities. It enables the reception of signal from one satellite and its distribution to a single tuner Set-top box. It is ready for High Definition transmissions and provides excellent Noise Figure performance. Manufactured to the highest industry quality standards and designed to meet strict specifications, this LNB is an ideal solution for the satellite broadcast reception across Europe.

Main Features:

- Low phase Noise HDTV-DVBS2 compliant
- Low Noise figure of 0.2 dB
- Low Power consumption
- Very high Frequency stability

Technical data

Input Frequency Range	3.4 ~ 4.2 GHz
Output Frequency Range	950 ~ 1750 MHz
LO Frequency	5.15 GHz
LO Initial Accuracy @ 25°C	± 1.0 MHz
LO Temperature Drift (-30 ~ +60°)	±2.0 MHz
LO Phase Noise @ 10KHz	-90 dBc/Hz
Noise Figure	13°K
Conversion Gain	60 [min.] dB
Gain Variation	±0.75dB / 27MHz
Image Rejection	40 [min.] dB
Output 1 dB Compression Point	0 [min.] dBm
Output Spurious	- 60 (max.) dBc
Output VSWR	~2.5 : 1
DC Power	190 mA Max.@10-24V
Working Temperature	- 25°C ~ + 60°C
Output Impedance	75 Ω (F-Type)
Weight	175 g



For purpose of brevity, some product descriptions in this sheet remain at platform level and may not be referred to as detailed datasheets of the products. Inverto Digital Labs reserves the right to amend, omit or add products, product-lines, and / or features without notice.

For further details contact: sales@inverto.tv

FTA Communication Technologies S.a.r.l Tel. +352 264 367 1 Fax. +352 264 313 68

