

Click object to rotate

Classic

Twin Straight-feed 40mm LNB

IDLR-TWNS45-CLASC-OSP

Item: 3224

Specifically designed for the European DTH markets, this LNB provides optimized reception capabilities. It enables the reception of signals from one satellite and its distribution to maximum to two Set Top Boxes with Single Tuner (or to one STB with Twin Tuner). It is ready for High Definition transmissions and provides excellent Noise Figure performance. Designed to meet strict specifications and manufactured to the highest industry quality standards, this LNB is an ideal solution for the satellite broadcast reception across Europe.

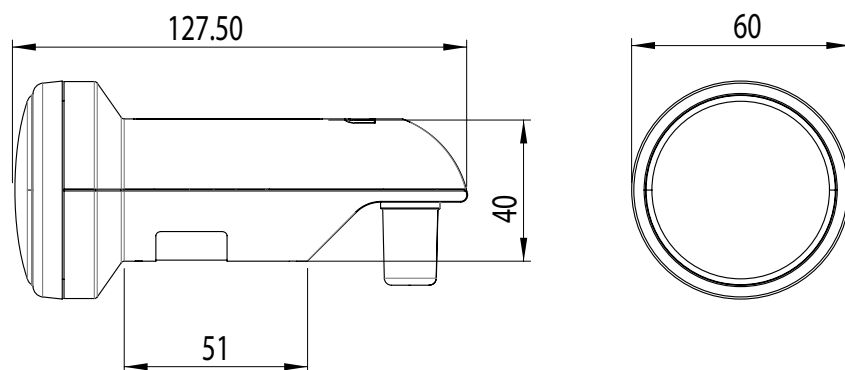
Main Features:

- Low Phase Noise, DVB-S2 (HDTV) compliant
- Low Noise Figure
- Low Power Consumption
- High Cross Polarization Isolation
- High Frequency Stability



Technical data

Low Band Input Frequency Range	10.7 ~ 11.7 GHz
Low Band Output Frequency Range	950 ~ 1950 MHz
Low Band LO Frequency	9.75 GHz
High Band Input Frequency Range	11.7 ~ 12.75 GHz
High Band Output Frequency Range	1100 ~ 2150 MHz
High Band LO Frequency	10.6 GHz
Noise Figure	0.7 dB Max. - ULN Noise Reduction Technology
LO Initial Accuracy	+/- 1.0 MHz Max.
LO Temperature Drift	+/- 2.0 MHz Max.
Phase Noise (@ 10 kHz)	- 80 dBc / Hz Max.
Conversion Gain	52 dB to 62dB (58dB Typ.)
Gain Ripple (Over 26 MHz Bandwidth)	+/- 0.75 dB
Gain Variation (Over Full Band)	+/- 3 dB Max
Image Rejection	40 dB Min.
1 dB Compression Point (@ Output)	0 dB Min
Cross Polarization Isolation	20 dB Typ
Control Signal Ca (Vertical Polarization)	11.0 ~ 14.0 V
Control Signal Cb (Horizontal Polarization)	16.0 ~ 19.0 V
Control Signal Cc (Band Switching)	22 +/- 4 kHz
Output VSWR	2.5 : 1
In-Band Spurious	-65dBm Max.
Current Consumption	140mA Max
Operating Temperature	- 30 °C ~ + 60 °C
Output Impedance	75 Ω
Output Connector	F-Type (Female)
Weight	104 gr



For purpose of brevity, some product descriptions in this sheet remain at platform level and may not be referred to as detailed datasheets of the products. Inverto Digital Labs reserves the right to amend, omit or add products, product-lines, and / or features without notice.

For further details contact: sales@inverto.tv

FTA Communication Technologies S.a r.l Tel. +352 264 367 1 Fax. +352 264 313 68

