

Click object to rotate

Mono



Single Triple-feed 23mm LNB 13°E+16°E+19.2°E for 85cm dish

IDLM-SINM20-TRPMN-8PP

Item: 5068

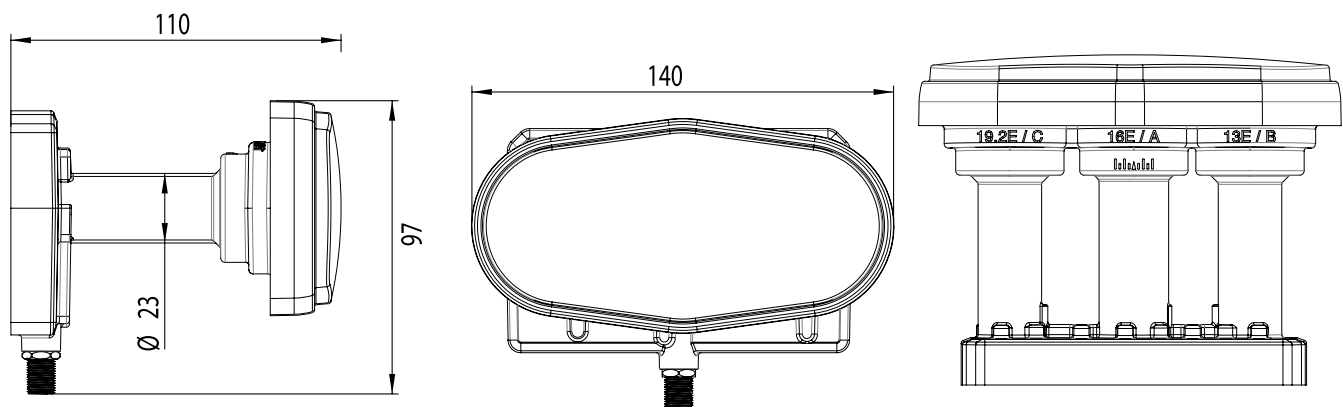
This Triple Feed LNB is a monoblock LNBF for Ku-band satellite reception from orbital positions 13°E, 16°E and 19.2°E in Central European countries. It is intended to be installed with commercially available satellite dishes that have the following characteristics:

- 85cm wide parabolic offset reflector
- 40mm feed clamp with ~7mm profile (the LNB will be supplied with 40mm ring adaptor)
- F/D = 0.6

It receives a frequency range of 10.7 to 12.75GHz divided into Low Band (10.70 to 11.70GHz) and High Band (11.70 to 12.75GHz) with either horizontal or vertical polarization. The LNB provides one switchable IF outputs (Single model). The output carries also power supply and control signals. Output port is F type. DiSEqC1.0 commands allow switching the output to a particular band and orbital position. The DiSEqC ODU allocation is the following: "ODU A" corresponds to 16E, "ODU B" to 13E and "ODU C" to 19.2E. As long as no DiSEqC command has been received, the selected orbital position is 16E (ie DiSEqC A). The LNB comprises three feeds, one for each orbital position. The feeds allow mounting into the feed clamp of the satellite dish. The feeds are marked with "13°E", "16°E" and "19.2°E" and their respective DiSEqC positions. The LNB is supplied with 40mm plastic ring adapter.

Technical data

Low Band Input Frequency Range	10.7 ~ 11.7 GHz
O/P Frequency Range	950 ~ 1950 MHz
LO Frequency	9.75 GHz
Noise Figure	1.0(max) dB
High Band Input Frequency Range	11.7 ~ 12.75 GHz
O/P Frequency Range	1100 ~ 2150 MHz
LO Frequency	10.6 GHz
Noise Figure	1.0(max) dB
LO Initial Accuracy	± 1.0 MHz
LO Temperature Drift	± 3.0 MHz
LO Phase Noise @ 1K Hz	-55 dBc / Hz
LO Phase Noise @ 10K Hz	-80 dBc / Hz
LO Phase Noise @ 100K Hz	-100 dBc / Hz
Conversion Gain	50 ~ 62 dB
Gain Variation	6 [max] dB
Output 1 dB Compression Point	0.0 [min.] dBm
Crosstalk Isolation	20 (min) dB
Output VSWR	2.5 : 1 ~
Output Spurious (inter-modulation)	-55 [max] dBm
DC Power	10~20/150 [max.] DCV/mA
Working Temperature	- 30 ~ + 60 °C
Output Impedance	75 Ω
Polarity , Band & Satellite Selection V, L, 16°E	13V, 0kHz, DiSEqC1.0: Sat A
Polarity , Band & Satellite Selection V, H, 16°E	13V, 22kHz, DiSEqC1.0: Sat A
Polarity , Band & Satellite Selection H, L, 16°E	18V, 0kHz, DiSEqC1.0: Sat A
Polarity , Band & Satellite Selection H, H, 16°E	18V, 22kHz, DiSEqC1.0: Sat A
Polarity , Band & Satellite Selection V, L, 13°E	13V, 0kHz, DiSEqC1.0: Sat B
Polarity , Band & Satellite Selection V, H, 13°E	13V, 22kHz, DiSEqC1.0: Sat B
Polarity , Band & Satellite Selection H, L, 13°E	18V, 0kHz, DiSEqC1.0: Sat B
Polarity , Band & Satellite Selection H, H, 13°E	18V, 22kHz, DiSEqC1.0: Sat B
Polarity , Band & Satellite Selection V, L, 19.2°E	13V, 0kHz, DiSEqC1.0: Sat C
Polarity , Band & Satellite Selection V, H, 19.2°E	13V, 22kHz, DiSEqC1.0: Sat C
Polarity , Band & Satellite Selection H, L, 19.2°E	18V, 0kHz, DiSEqC1.0: Sat C
Polarity , Band & Satellite Selection H, H, 19.2°E	18V, 22kHz, DiSEqC1.0: Sat C



For purpose of brevity, some product descriptions in this sheet remain at platform level and may not be referred to as detailed datasheets of the products. Inverto Digital Labs reserves the right to amend, omit or add products, product-lines, and / or features without notice.

For further details contact: sales@inverto.tv

FTA Communication Technologies S.a.r.l Tel. +352 264 367 1 Fax. +352 264 313 68



www.inverto.tv