



Pro

Twin High-Band Circular 40mm LNB (LO10.75 GHz)

IDLB-TWNR43-H1075-OPN

Item: 5426



Specifically designed for the European DTH markets, this LNB provides optimized reception capabilities for receiving circular polarized signals on the high band and enables the reception of signals from one satellite and its distribution to up-to two single tuner set-top boxes (or 1 in the case of a twin-tuner STB). It is factory set for easy connectivity with any LO 10.75 preset set-top box, fully supports high definition transmissions and provides excellent noise figure performance. Manufactured to the highest industry quality standards and designed to meet strict specifications, this LNB is an ideal solution for the satellite broadcast reception across Europe.

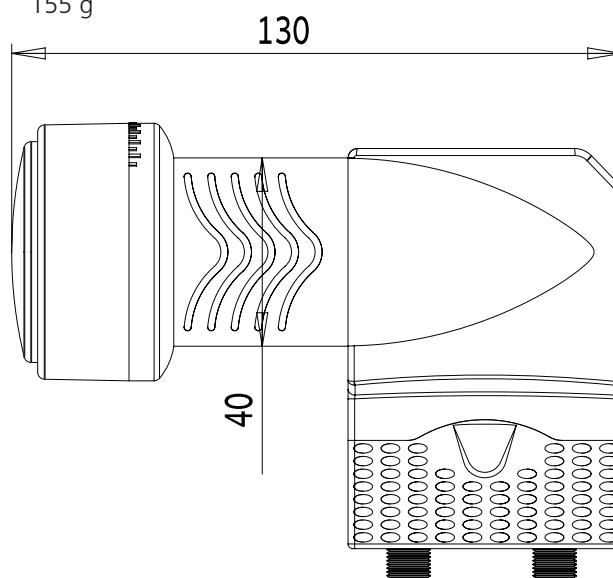
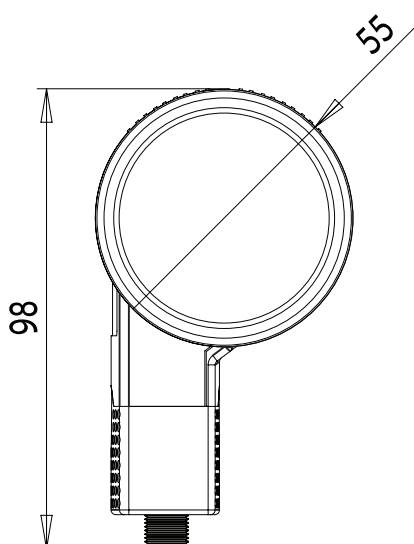
Main Features:

- LO frequency 10.75 MHz, high frequency stability
- HDTV-DVBS2 compliant
- Low Noise figure, low phase noise figure
- Low Power consumption
- High Cross-Pole performance



Technical data

Input frequency range	11.7 GHz ~ 12.75 GHz
Output Frequency Range	950 MHz ~ 2000 MHz
LO Frequency	10.75 GHz
LO temperature drift @ 25 °C	±3.0 MHz max.
LO Initial accuracy @ 25 °C	±1.0 MHz max.
Noise figure	0.7 dB typ. (1 dB max.)
Polarization	circular
LO phase noise @ 1 kHz	-65 dBc/Hz min.
LO phase noise @ 10 kHz	-80 dBc/Hz min.
LO phase noise @ 100 kHz	-90 dBc/Hz min.
Conversion gain	55 dB ~ 65 dB
Gain ripple (over 27 MHz bandwidth)	±0.75 dB
Image rejection	40 dB min.
1 dB compression point (@ output)	0.0 dBm min.
Cross polarization isolation	20 dB min.
Polarization selection - LHCP	16.0 V ~ 20.0 V
Polarization selection - RHCP	11.0 V ~ 14.0 V
Output VSWR	2.5 : 1
In band spurious level	-60 dBm max.
Current consumption	120 mA max. @ 11 V ~ 20 V
Operating temperature	-30 °C ~ +60 °C
Output impedance	75 Ω
Output connector type	F-Type
Dish F/D ratio	0.6
Weight	155 g



*Product image and the design reflected may change and are not legally binding in any way.

For purpose of brevity, some product descriptions in this sheet remain at platform level and may not be referred to as detailed datasheets of the products. Inverto Digital Labs reserves the right to amend, omit or add products, product-lines, and / or features without notice.

For further details contact: sales@inverto.tv

FTA Communication Technologies S.a.r.l | Tel. +352 264 367 1 | Fax. +352 264 313 68



www.inverto.tv