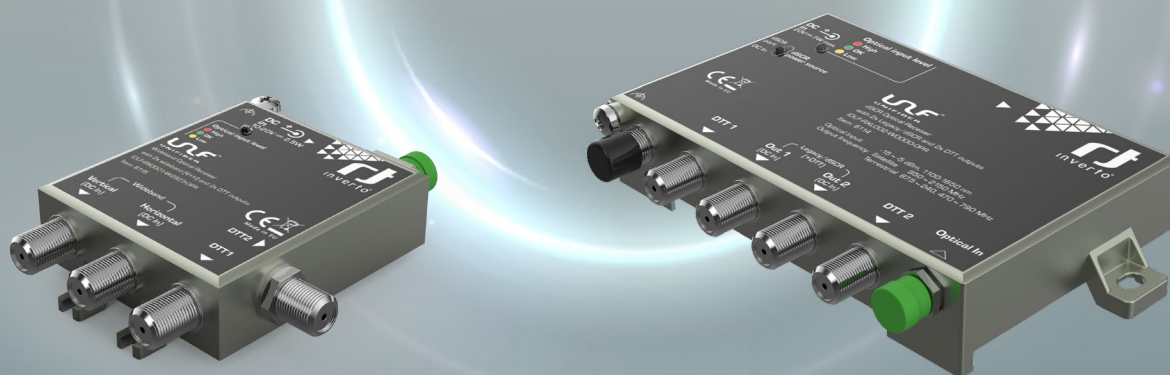


Quarterly

newsletter



Issue 04 / 2021



Visit us at IBC
3-6 December
Stand D64
Hall 1

Book your meeting
[here](#)



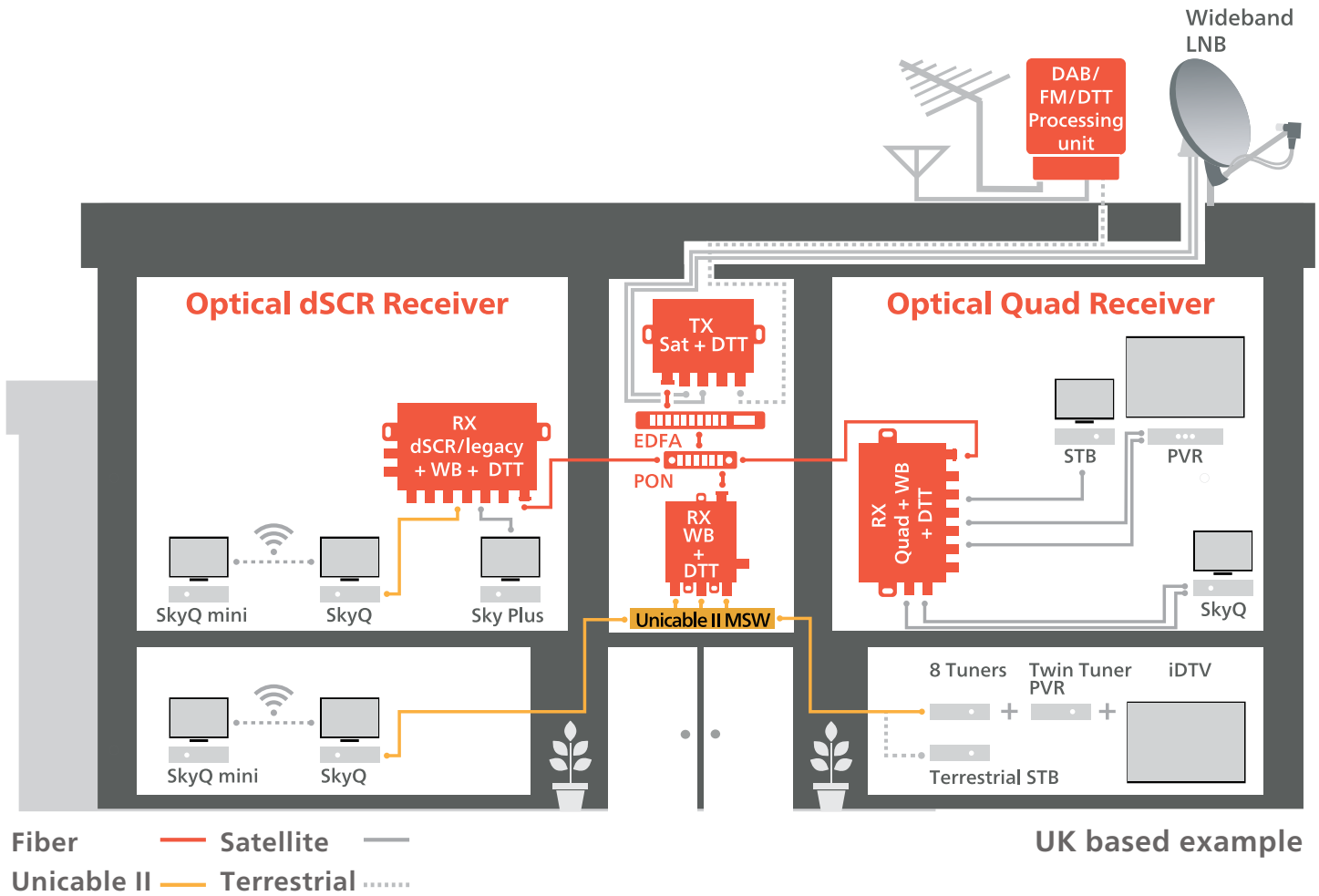
Inverto has expanded the Unifiber™ family with transmitter and receiver products for the distribution of satellite and terrestrial signals over optical networks.

The new family of transmitters and receivers for the distribution of radio frequencies over glass (RFoG) at 1330 nm or 1550 nm, is ideal for the use in multi dwelling units or residential areas. These can serve smaller installations, or together with Inverto's EDFA systems, thousands of households over long distances.

Inverto has various receiver units in its portfolio to cover a full range of possible applications. Learn more about them on the following pages.

Fiber-to-the-Home/Floor/Building

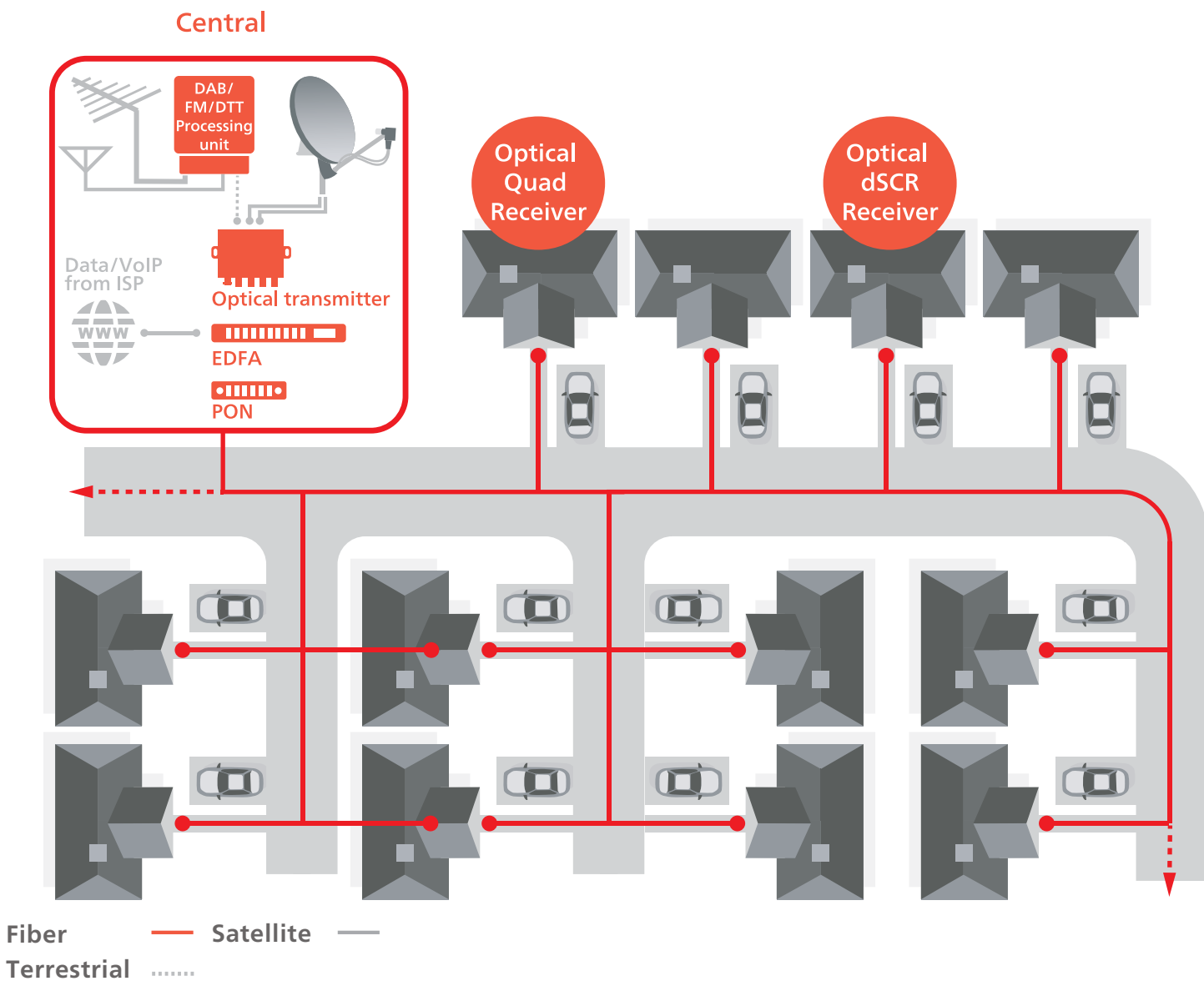
RF-over-Fiber Satellite and Terrestrial TV distribution applications



The Unifiber™ transmitter distributes satellite and terrestrial signals over a single fiber cable. Satellite reception is fed in via a wideband LNB and DTT signals (FM/DAB/DTT) via a Unifiber™ DTT processing unit. A built-in RF-AGC for the satellite inputs together with the UHF-AGC at the DTT Processing unit make sure the transmitter output signal remains optimal for high quality TV signal distribution.

The optical signal can be distributed over a Passive Optical Network (PON) and can be amplified through a Unifiber™ EDFA optical amplifier to support large scale deployments. dCSS and Quad optical receivers can be used for FTTH (Fiber To The Home) installations while Quattro and Wideband receivers can be used for FTTB (Fiber To The Block) or FTTF (Fiber To The Floor) installations.

Distribution for Residential applications



Scaling Fiber-to-the-Home TV distribution in large residential areas has never been simpler - The optical signal of the transmitter's output is amplified through a Unifiber™ EDFA optical amplifier and then distributed to individual homes over PON. A dSCR or Quad optical receivers are installed at the homes and distribute the TV signal to STBs and TVs over coax cables. A range of EDFAs with an integrated WDM can interconnect with the telco's GPON OLT equipment and combine the broadband data (IP @ 1310 nm +1490 nm) and the TV (RF @ 1550 nm) services over a single fiber cable.

A selection of our new devices

A complete portfolio offers flexible end-to-end solutions based on advanced optical technology and packed in sleek modern designs:



Unifiber™ optical transmitter for Sat and DTT



Unifiber™ processing unit for DAB/FM/DTT



Unifiber™ optical receiver Quad + Wideband +1 DTT output



Unifiber™ optical receiver Quattro + 1 DTT output



Unifiber™ optical receiver dSCR/Legacy + 2 DTT outputs



Unifiber™ optical receiver Wideband + 1 DTT output

