

TOGETHER



Quarterly
newsletter

Issue 02 / 2022

It's with real excitement that we will attend our first in-person event in over two years: Inverto will join **ANGACOM 2022** (10-12 of May in Cologne) and exhibit in:

Hall 8, booth F31.

We will have a lot of catching up to do as many new products were launched or improved over the past 2 years and use the opportunity to display the products you have come to expect from Inverto, as well as some of our latest and finest releases.

So we can insure you get from us 2 years worth of attention :-), we encourage you to reach out to us by [email](#) before the show to pre-book a meeting. All early birds will receive from us a free visitor pass to the show.

See you at **ANGACOM 2022**

The Inverto Team

Come to our booth and discover our new families of LNBS and dishes, along with OneNet Broadband, Inverto's very first flat panel Electronically Steerable Antenna paving the way for LEO/MEO satellite signal reception in Ku or Ka bands. You will have the opportunity to enjoy a hands-on demonstration of aircscreen Live, our mABR (multicast Adaptive Bit Rates) content delivery solution. OneNet ProX, our Wi-Fi 6 (mesh) routers will amaze you with their stunning performance and looks. Along with these ground-breaking products and solutions, the Key Focus will be placed on the following two state-of-the-art ranges of products:

The UniFiber™ solution

A new product family addressing the increasing demand for reliable, high quality and cost effective solutions for distributing TV services over fiber-to-the-home (FTTH) networks.

The Unicable II® solution

Our 2nd generation of Inverto's single cable distribution product range based on digital Channel Stacking technology (dCSS).

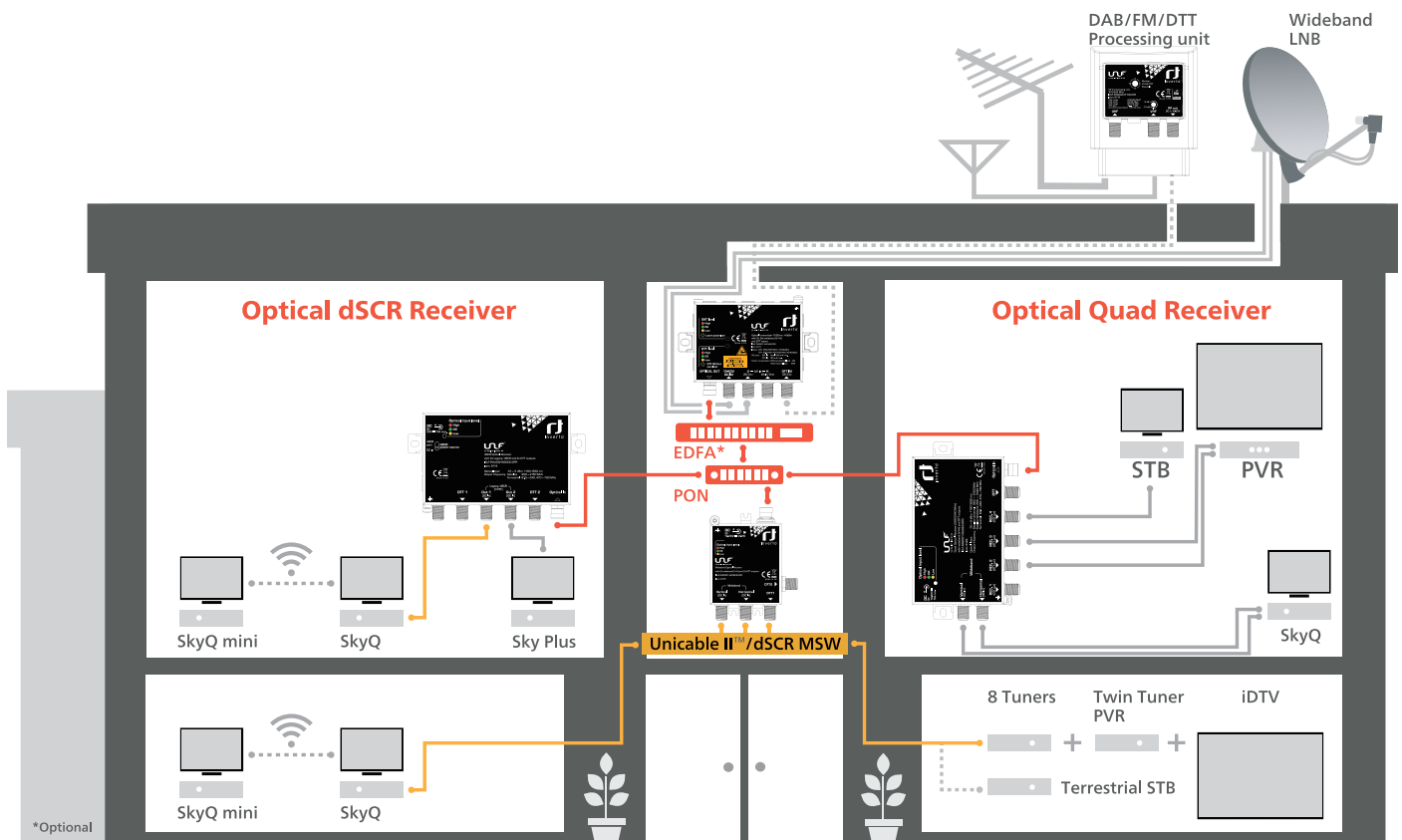


THE UNIFIBER SOLUTION

RFoF* distribution for Fiber-to-the-Home/
Riser/Floor/Building applications

On the Inverto booth at ANGA, we will introduce the advantages of the UniFiber™ range of RF over Fiber (“RFoF”). What is RFoF, you may ask?

First things first: RF over Fiber allows the transmission of RF signals (typically satellite or terrestrial TV) using an optical fiber. The typical UniFiber™ system will comprise an optical transmitter, fiber optic cable, and optical receivers, to convert the signal back to RF (then use coax to connect a PayTV receiver, for example). You can feed the broadcast content to the riser (“FTTR”), to the home (“FTTH”) or any other configuration. Optical amplifiers (“EDFAs”) can be added as needed for the distribution to a larger number of receivers. See the illustration below.



Fiber — Satellite —
Unicable II™ — Terrestrial —
dSCR

Back to the question above: RF over fiber (“RFoF”) is the process of converting a radio wave (RF) into light by modulating the intensity of the light source (typically a laser) with RF signal. You have to think of this as an analogue process, as no digitization is used. The fiber optic cable serves as transport for the signal and replaces traditional copper coax cables. Why would you want to consider replacing good old coax? For one, RFoF is virtually limitless as far as distance is concerned whereas coax only goes to 100m (approx.).

Other clear advantages of RFoF are:

- Far greater capacity
- Very low loss even over long distances
- No new cables - share the same fiber used for broadband data services
- Immunity to EMI and RFI
- Easy deployment and very little maintenance and no risk of signal theft/share
- Cost effective

More info on our stand F31, Hall 8 and let us take you through our 3D diagrams to exemplify how UniFiber™ can be the solution for all your RF over Fiber signal transport needs.



Inverto is the undisputed leader in dCSS LNBs and multiswitches, catering to DTH pay-TV operators and MDU installers all over the world.

Contrary to other suppliers, who rely on the silicon vendors to provide the software, Inverto's R&D team has full control over the development of the software and hardware. This allows Inverto to provide unique hardware and software features to our customers and enables us to quickly customize the product. We can offer solutions that address your unique requirements.

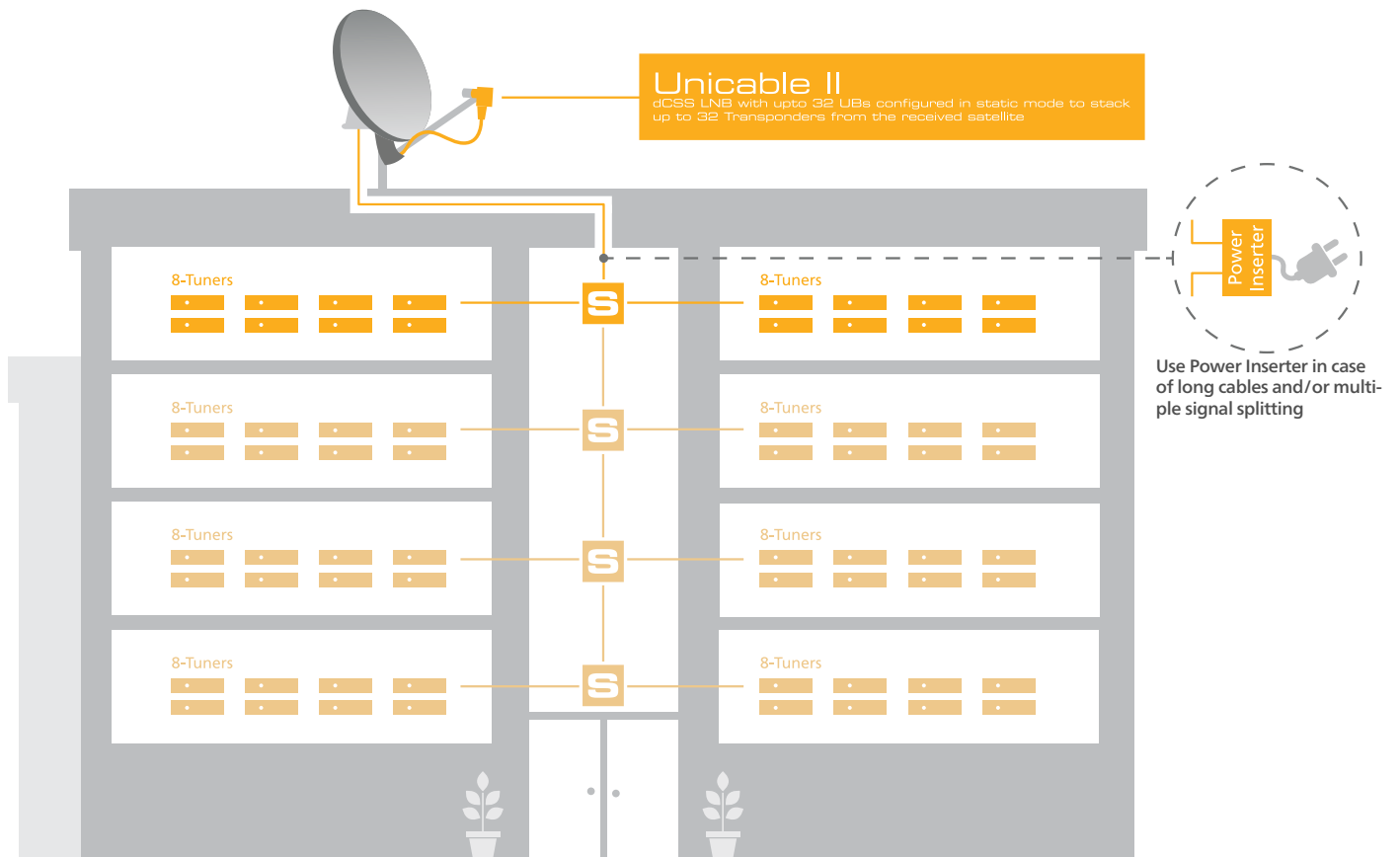
Our newest Unicable II® LNB is programmable over-the-air ("OTA") and will thus evolve with the transponder constellation of the operator. Developed in-house and secured by a robust encryption, the DMDU solution will generate substantial savings, by avoiding unnecessary replacement of obsolete LNBs as well as the costly on-site visit of an installer. It is also an eco-friendly solution by virtue of limiting obsolescence and the carbon footprint by working remotely!

Whether LNBs or MSW, the Unicable II® advantages are:

- Software-based product configuration, providing upgradable, future-proof solutions and greater flexibility to address various installation scenarios.
- Quick and simple upgrade of subscribers' homes from single-tuner single-room to multi-room multi-tuner setup (up to 32 tuners in total) using one existing coaxial cable, reducing cost and time of upgrades.
- Programmable static mode allow distribution of up to 32 Transponders to an unlimited number of receivers, reducing the number of cables, multiswitches and field working hours.
- Fully compliant with both EN50494 and the latest EN50607 standards.
- Software fully controlled by Inverto allowing to develop unique features and support operators and other customers to address their unique requirements.
- Cost effective MDU installation with up to 32 TPs

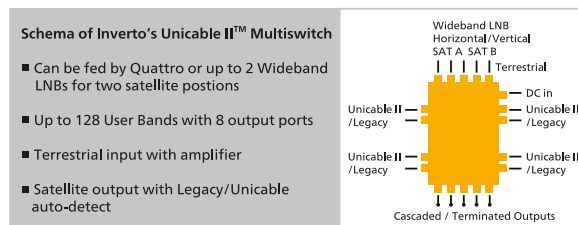
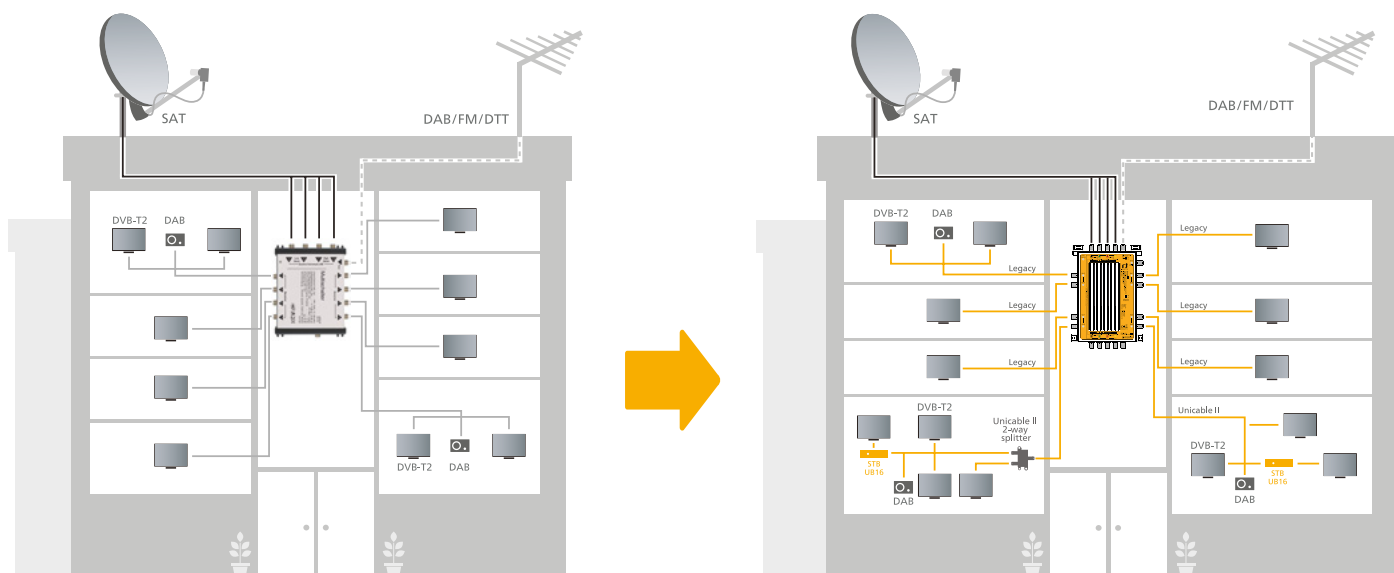
MDU / hospitality installation in static mode – distribution of up to 32 TPs to any number of STBs connected over a single coax cable drop from the rooftop.

Up to 70% savings on installation cost / time



Easy upgrade of existing multiswitch installations

The automatic switching between Legacy and Unicable® enables the use of a Unicable II® switch in a mixed Legacy and Unicable I / II® environment. It provides the flexibility of instant upgrade of zappers and TVs to full featured modern multi-tuner STBs.



The existing legacy multiswitch can be replaced with an Inverto future-proof Unicable II® Multiswitch, allowing to connect multiple receivers at the home over a single coax cable with unlimited access to all the satellite services.

Example above using item:

5458 IDLU-UST110-CUO80-32 Unicable II® Cascadable switch with terrestrial input + satellite loop through outputs + 8 output ports in either legacy or Unicable II® mode* (automatic switchover).

- No reprogramming is required, automatic switch over from legacy to Unicable®
- One dedicated coaxial cable per apartment minimise risk of User Band conflicts between parties

*In Unicable® mode up to 16 Unicable II® devices or 8 Unicable I / II® devices